

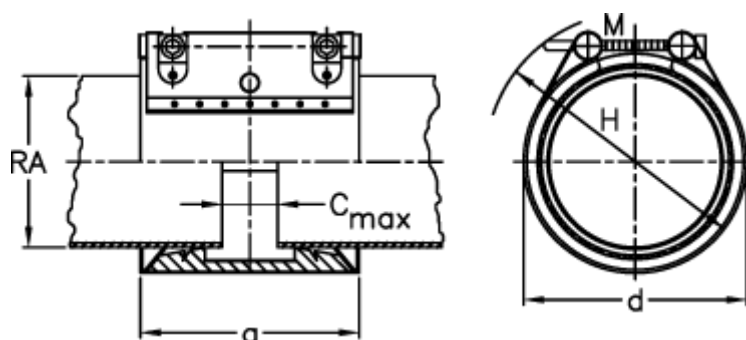
# Data Sheet



Article number: 025748100355

Description: Norma Connect pipe coupling  
GRIP E W2 Ø=355,6 EPDM, 2,7 bar

## Measures



a	= 142
C max with insertion band	= 35
d	= 385
H	= 420
M (screw)	= M16
Nominal pressure (bar)	= 5
RA	= 355.6
RA min-RA max	= 352,0-359,0

Weight a piece = 10.5